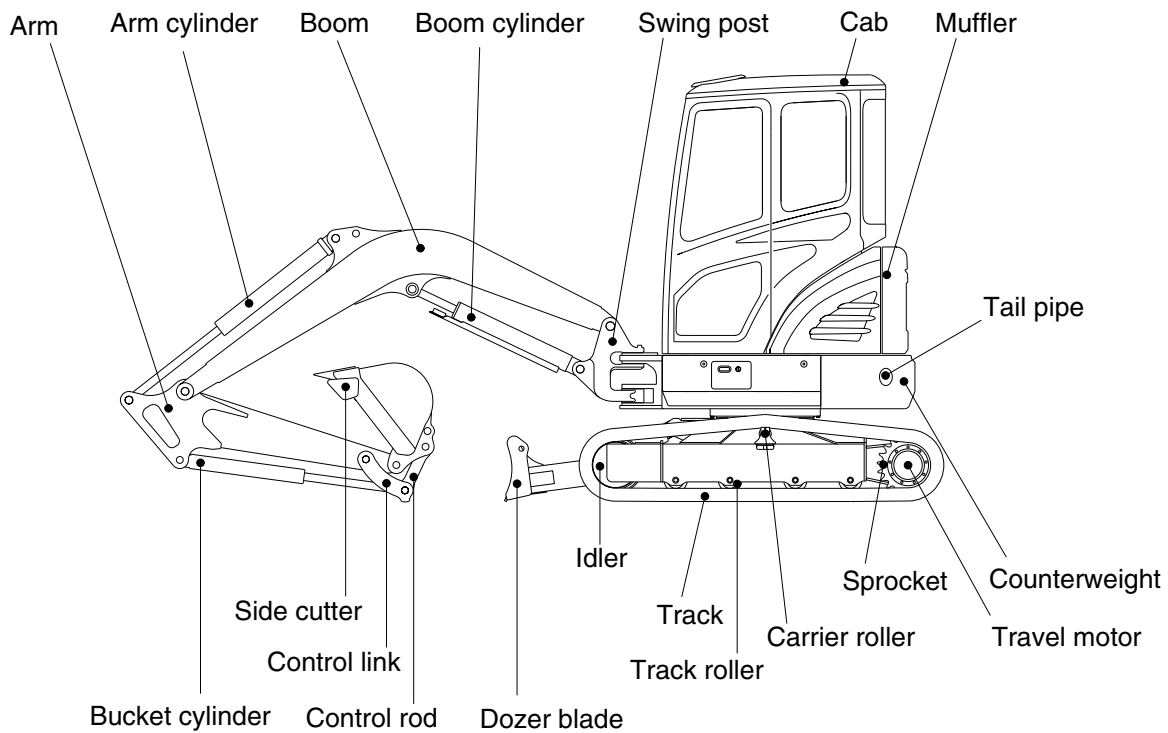
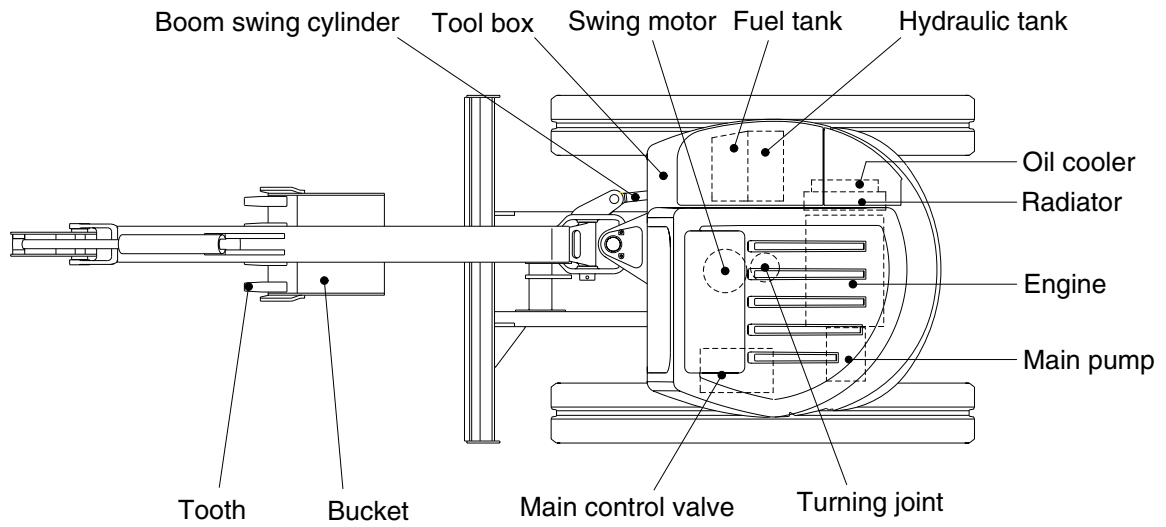


SPECIFICATIONS

1. MAJOR COMPONENT



R35Z72SP01