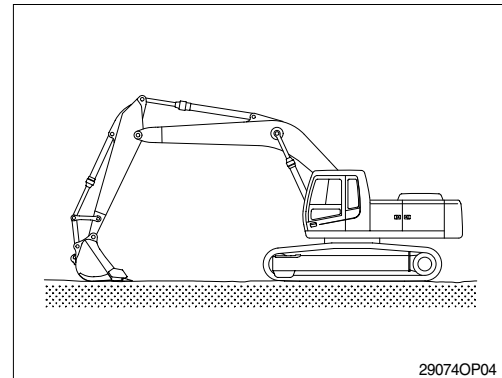


### 13. SWITCHING HYDRAULIC ATTACHMENT CIRCUIT

- 1) The combined hydraulic attachment circuit is capable of providing single action or double action.
- 2) The position of 3 way valve selects the single action hydraulic attachment circuit or the double action hydraulic attachment circuit.
- 3) Before you change the flow mode of hydraulic attachment circuit, place the machine in the servicing position as shown. Stop the engine.



- 4) Use the manual lever to turn the 3 way valve. Make sure that you fully turn the valve until the valve stops.
  - (1) **One way flow**(Hydraulic breaker)  
Position the manual lever parallel to the piping (□).
  - (2) **Two way flow**(Clamshell or shear)  
Position the manual lever perpendicular to the piping(□).

